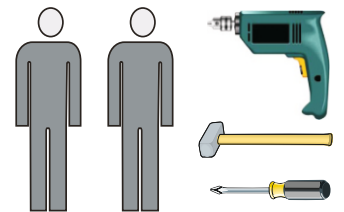
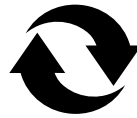
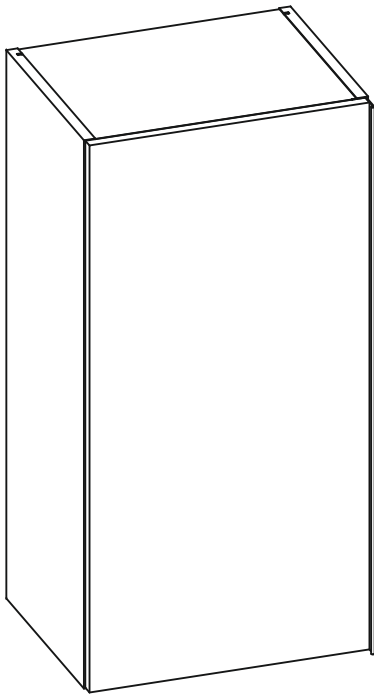
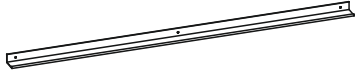



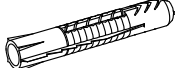


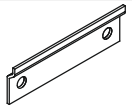
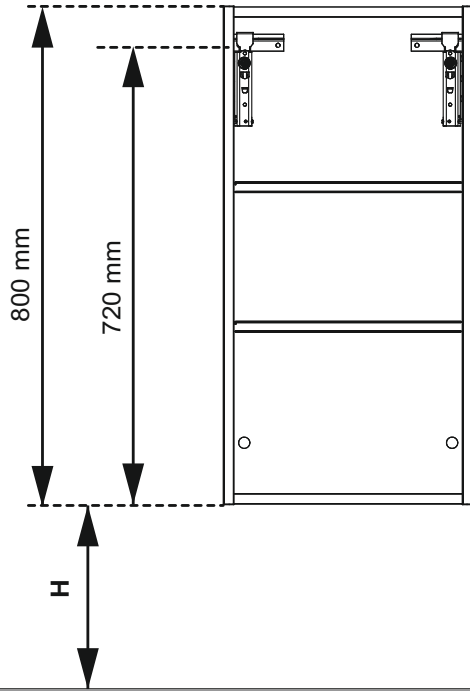


40 1D (21,6 / 31,6)

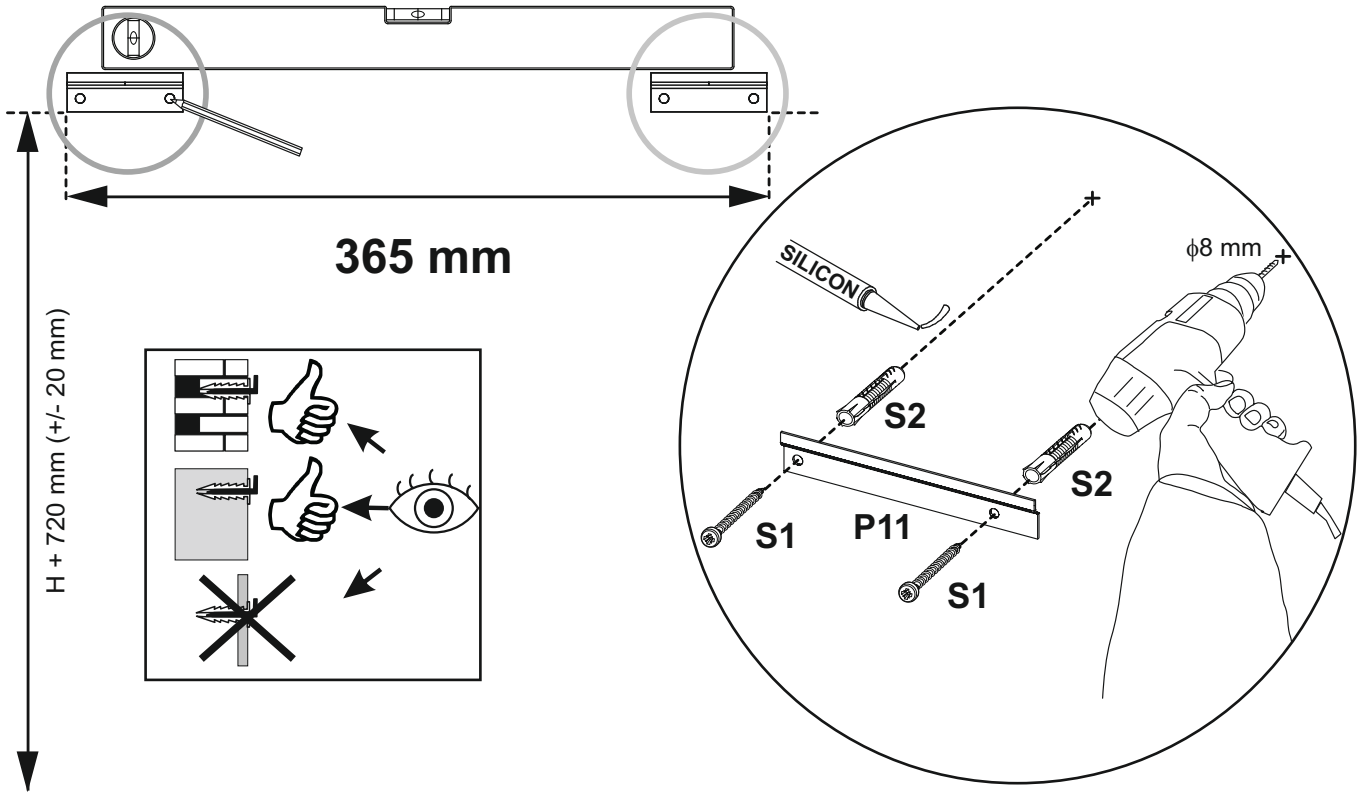


H		N5		R8	
					
x 1		US3,5x16 x 3		x 2	
S1	S2	P0	P2	P11	
					
ST6x60 x 4	UX8 x 4	ø 5 x 20	ø 18 x 4	x 2	

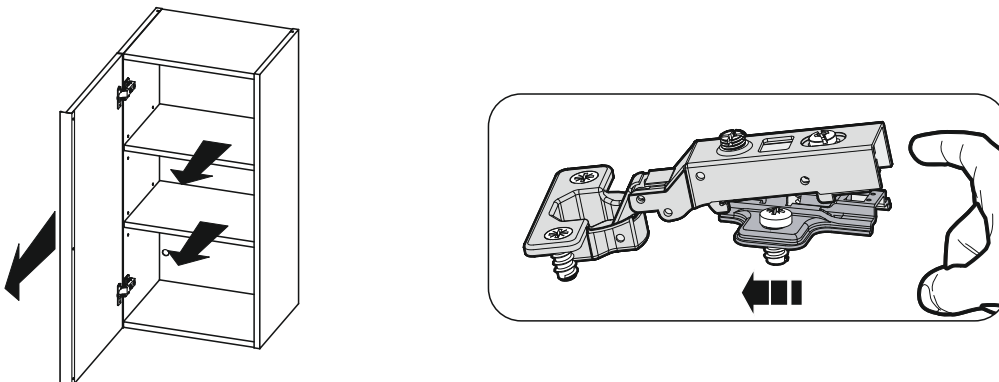
01.



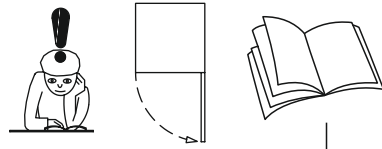
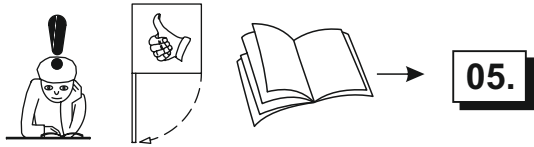
02.



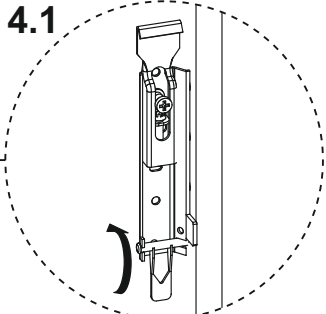
03.



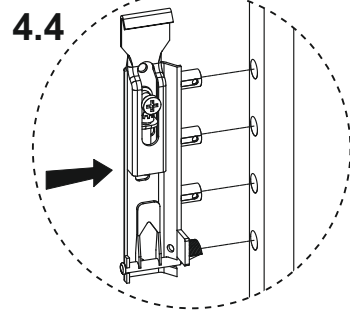
04.



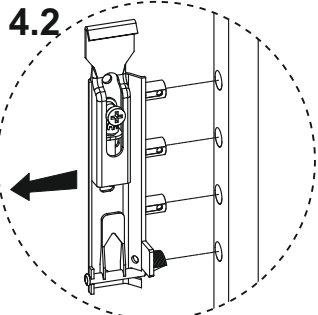
4.1



4.4



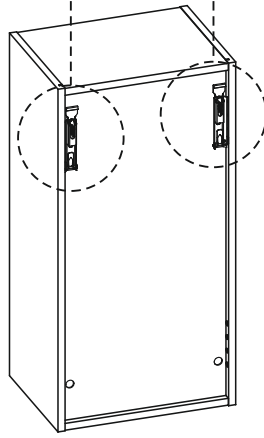
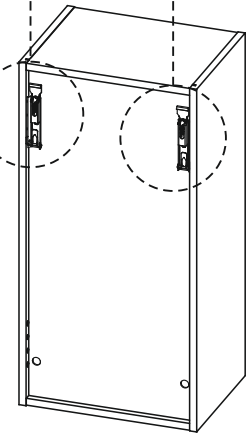
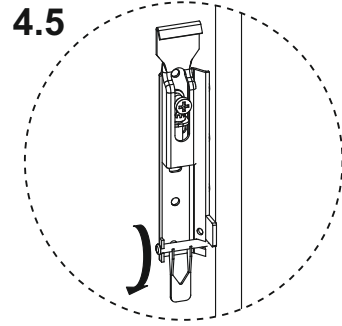
4.2



4.3

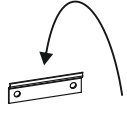
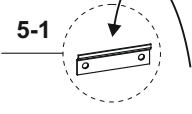


4.5

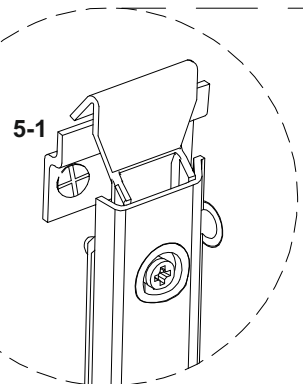


05.

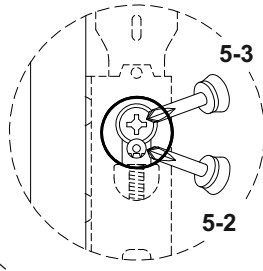
5-1



5-1

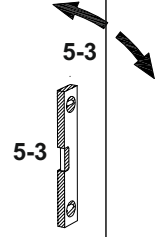


5-3

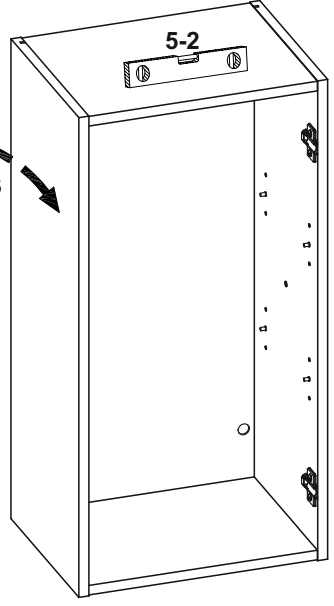


5-2

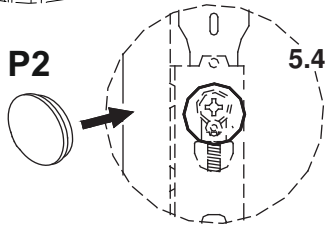
5-3



5-2

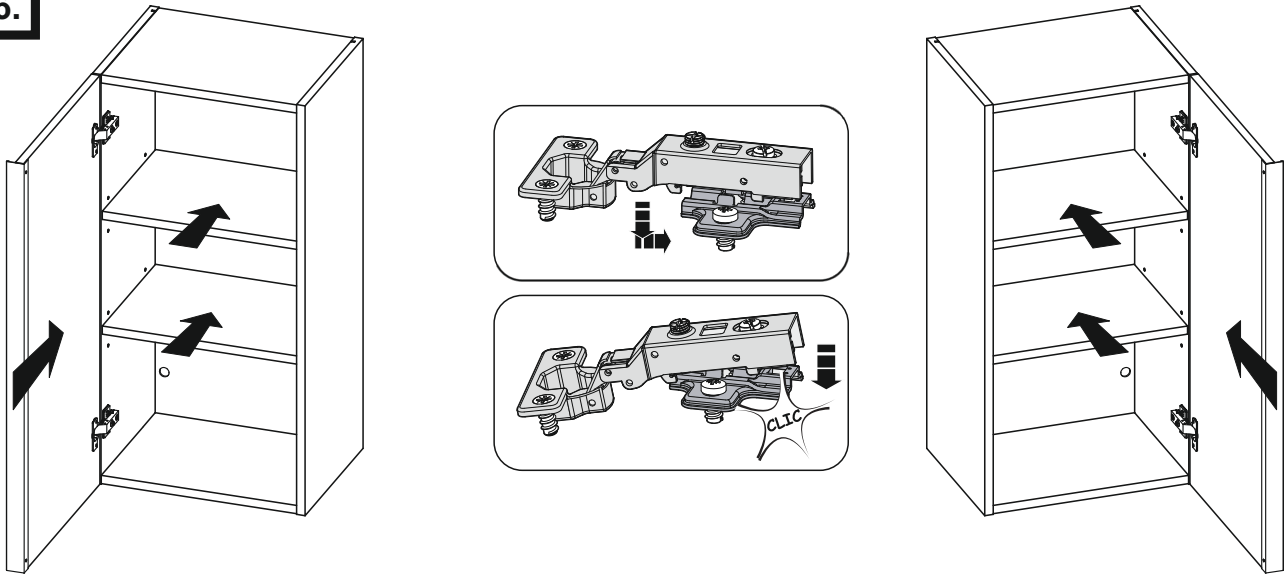


P2



5.4

06.



07.

